



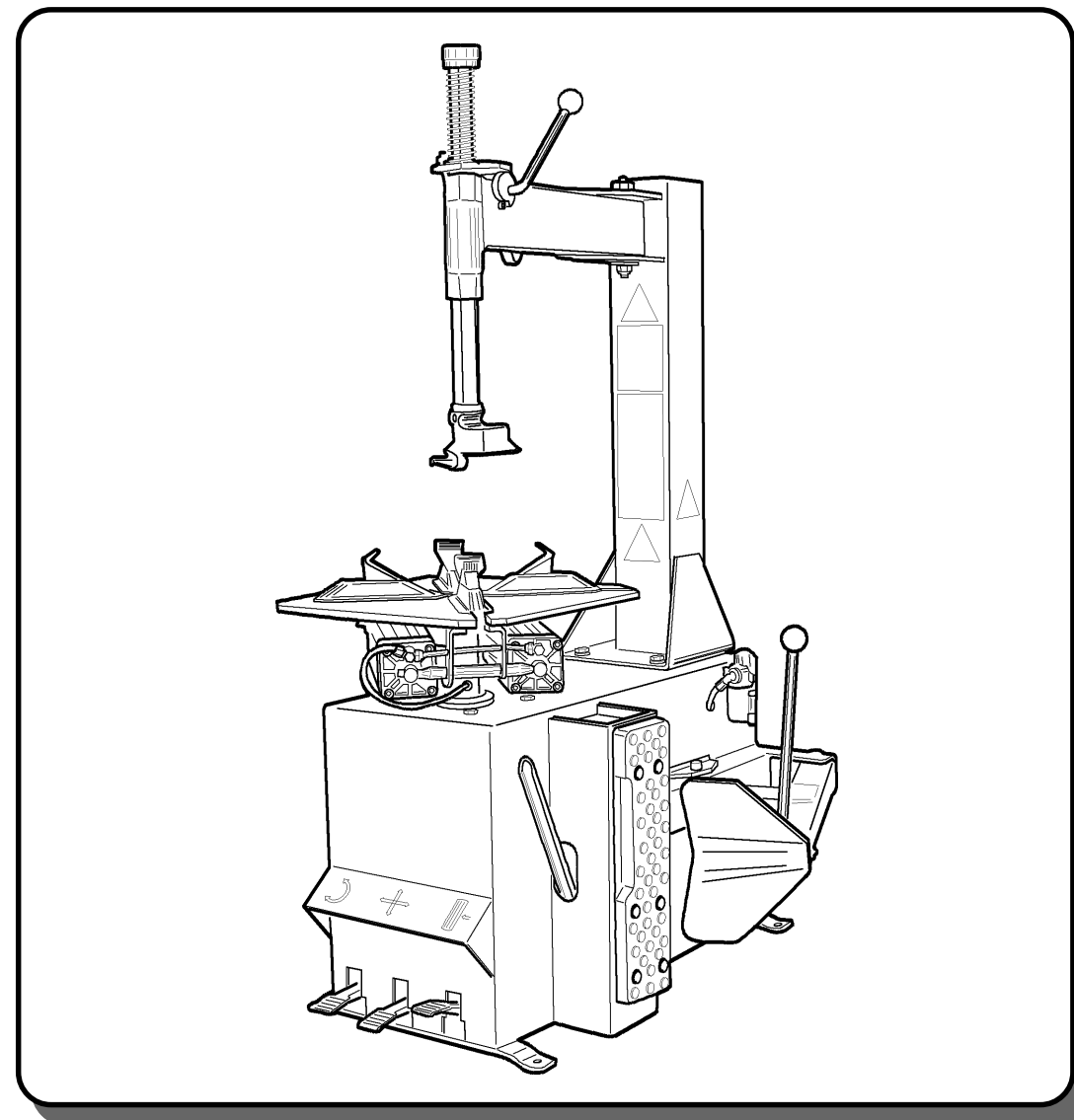
CATALOGO RICAMBI ORIGINALI - ORIGINAL SPARE PARTS

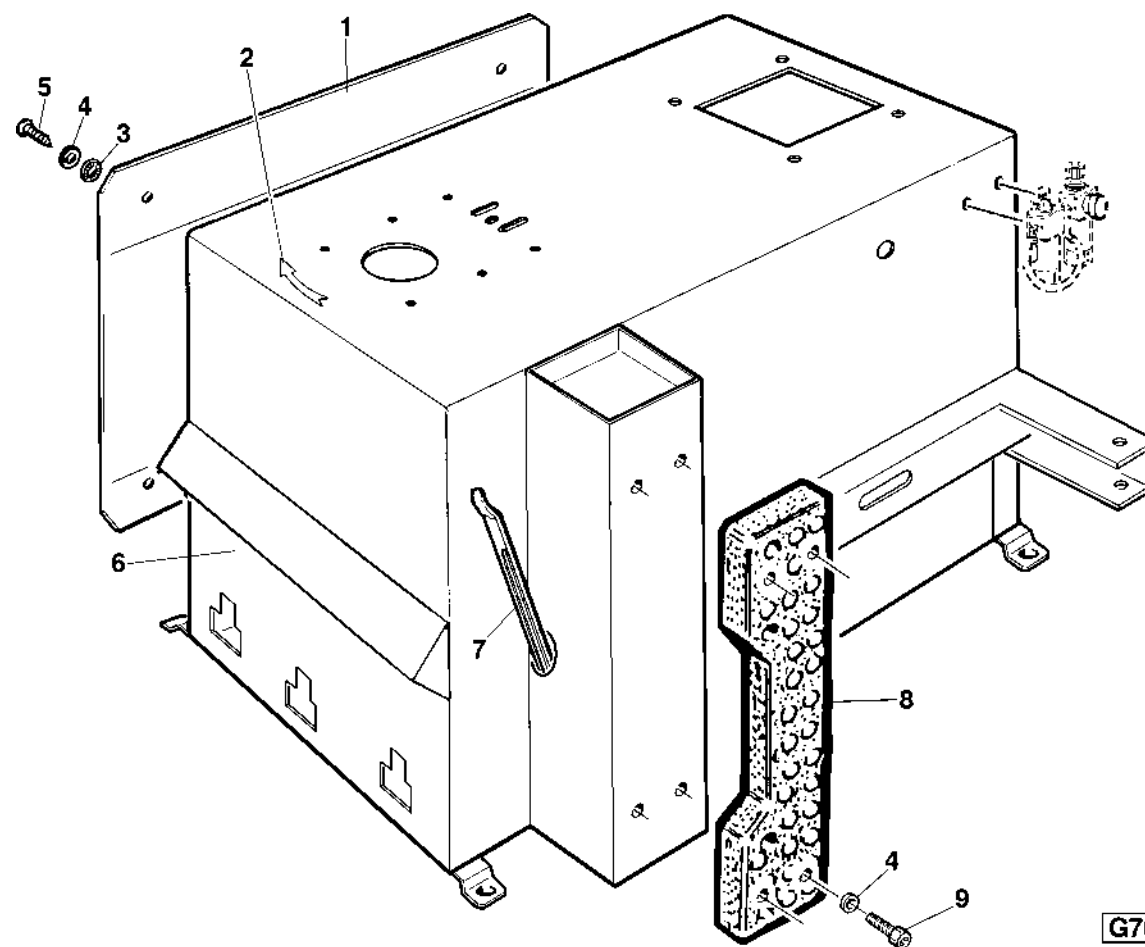
CATALOGUE PIECES D'ORIGINE - ORIGINALESATZTEILE

Ed. 11/2002

S 110

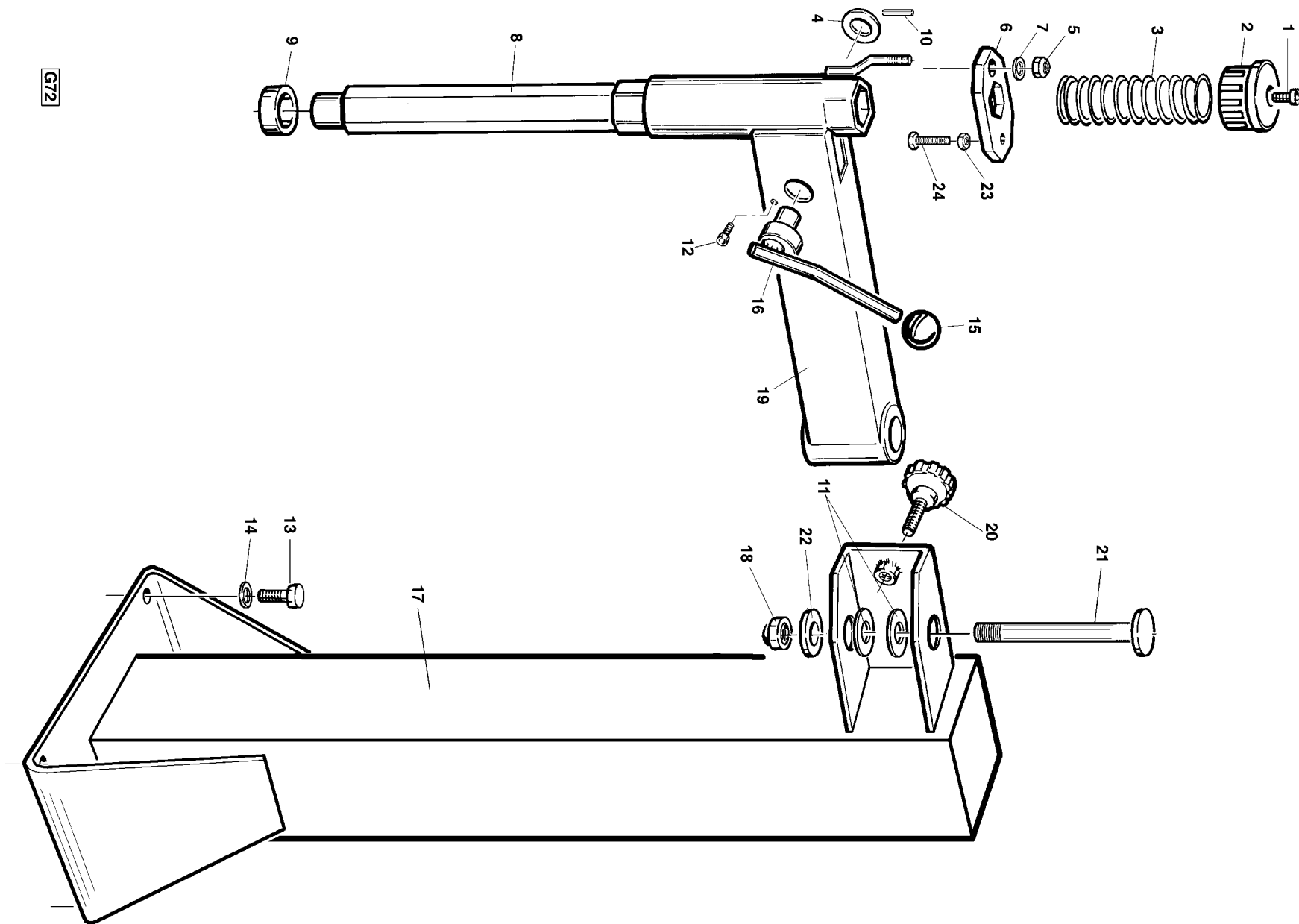
Cod. 3010005





G70

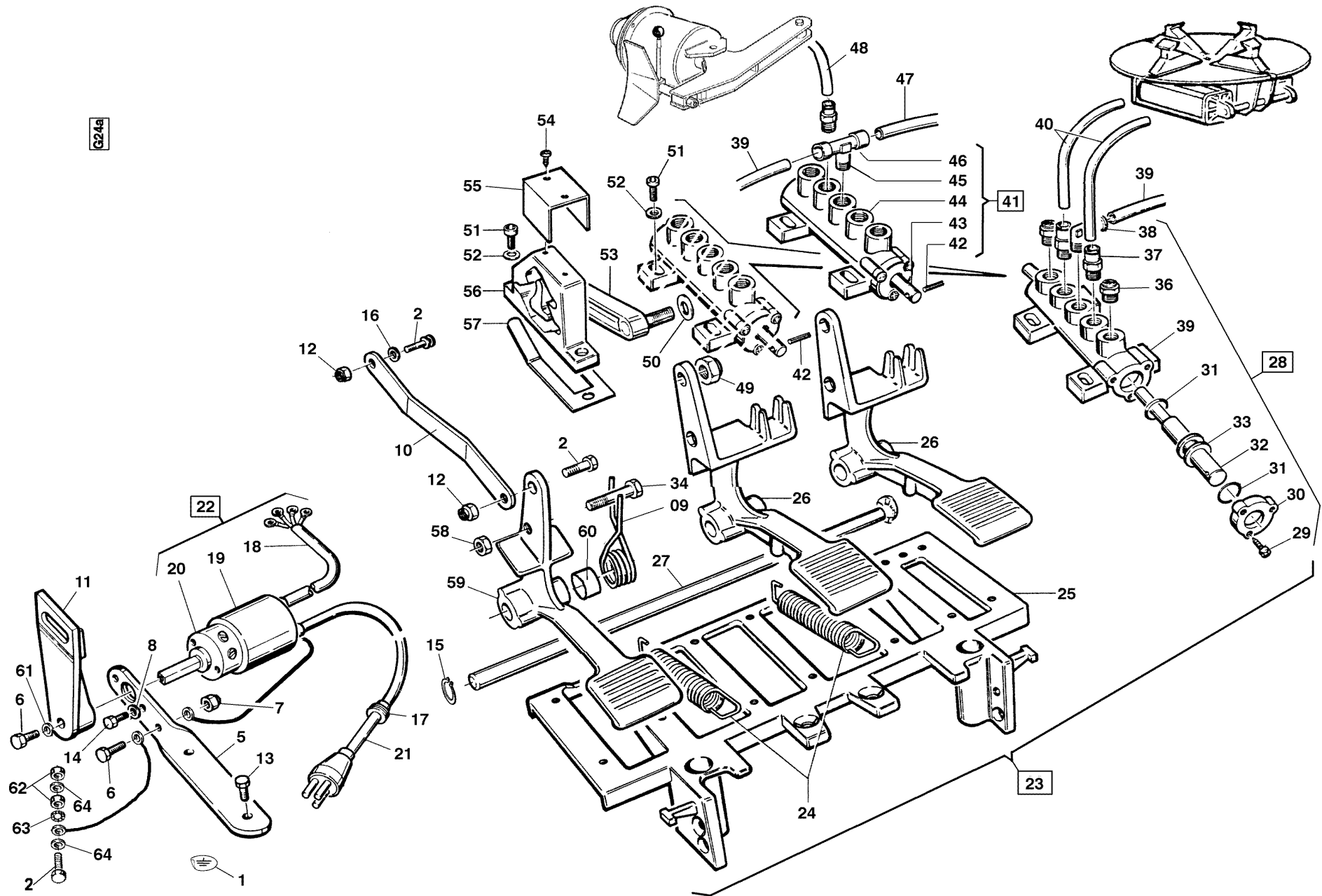
1	2102489	COPERCHIO LATERALE -BLU R.5015	COUVERCLE LATERAL	SIDE COVER	SEITENDECKEL
2	3000048	DECALCOMANIA FRECCIA - BIANCA	DECALCOMANIE - FLECHE	STICKER	ABZIEHBILD
3	4399288	ROND. DEN.ES."A" 6,4x11x0,7	RONDELLE DENTEE 6,4x11x0,7	TOOTHED WASHER 6,4x11x0,7	ZAHNSCHEIBE 6,4x11x0,7
4	4399998	RONDELLA 6 (6,4x12x1,6)ZNT6592	RONDELLE 6 (6,4x12x1,6)	WASHER 6 (6,4x12x1,6)	SCHEIBE 6 (6,4x12x1,6)
5	4398108	VITE AUTOF. TCEI 6,3x16 ZNT	VIS AUTOTARADEUSE TCEI 6,3x16	SELF-TAPPING SCREW 6,3x16	BLECHSCHRAUBE 6,3x16
6	2107082	CARCASSA SEMIAUT. 110-BLU 5015	BATI	BODY	RAHMEN
7	3006970	LEVA ALZATALLONI TIPO C	LEVIER DECOLLE-TALONS	BEAD LIFTING LEVER	WULSTABDRUECKHEBEL
8	3007064	TAMPONE UNICO IN GOMMA TIPO"C"	TAMPON EN CAOUTCHOUC	RUBBER PAD	GUMMIPUFFER
9	4399999	VITE TCEI M 6x25 8.8 5931	VIS M6x25 - 8.8	SCREW M6x25 - 8.8	SCHRAUBE M6x25 - 8.8



GT22

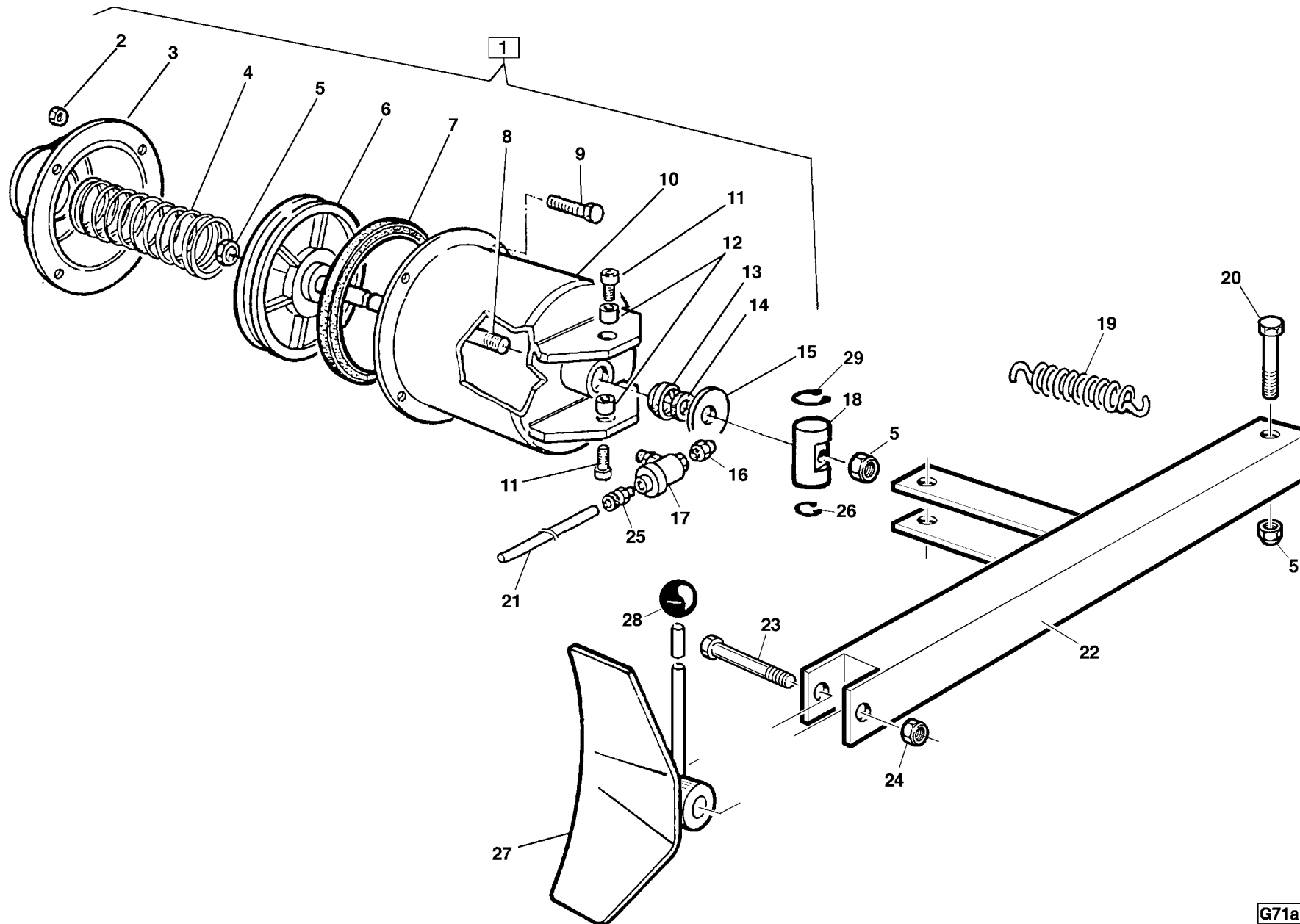
1	4399954	VITE TCEI M 8x20 8.8 5931	VIS M8x20 8.8	SCREW M8x20 - 8.8	SCHRAUBE M8x20 -8.8-
2	3000055	POMOLO BRACCIO OPERANTE	POIGNEE BRAS OPERATEUR	OPERATING ARM KNOB	KUGELGRIFF
3	3001672	MOLLA COMPR.BRACCIO OPER.-ZNT	RESSORT	SPRING	DRUCKFEDER
4	4398807	RONDELLA 14 (15x28x2,5)ZNT6592	RONDELLE 14 (15x28x2,5)	WASHER 14 (15x28x2,5)	SCHEIBE 14 (15x28x2,5)
5	4399971	DADO AUTOBL.M10 BASSO.6S. 7474	ECROU A' BLOCAGE AUTOMAT.	SELF-LOCKING NUT M10	SELBSTSICHERNDE MUTTER M10
6	3000085	PIASTRA BLOCC. BRACCIO OP.	PLAQUE BLOCAGE BRAS OPERATEUR	ARM LOCKING PLATE	KLEMMPLATTE
7	4398633	RONDELLA 10 (10x18x2) ZNT 1750	RONDELLE 10 (10x18x2)	WASHER D.10 10x18x2	BEILAGSSCHEIBE D.10 (10x18x2)
8	3000049	BRACCIO OP.E.36 L=565	BARRE DE MONTAGE L=550	OPERATING ARM L=565	BEDIENUNGSARM L=565
9	3009044	AMMORTIZZ.SPEC.UT. D.34x44x13	AMORTISSEUR SPEC.	SHOCK ABSORBER	SONDERSTOSSDAEMPFER
10	4398783	SPINA ELASTICA D.4x24 6874	GOUPILLE D.4x24	SPRING PIN D.4x24	FEDERSTIFT D.4x24
11	4397898	RASAMENTO ACCIAIO 25X50X0,5	EPAISSEUR EN ACIER 25x50x0,5	STEEL SHIM 25x50x0,5	AUSGLEICHRING 25x50x0,5
12	4399964	VITE TCEI M 6x10 8.8 5931	VIS M6x10 - 8.8	SCREW M6x10 -8.8	SCHRAUBE M6x10 - 8.8
13	4397894	VITE TE 16x60 8.8 P.F. 5737	VIS TE M16x60 UNI 5737 8.8	SCREW 16x60 8.8	SCHRAUBE M16x60 8.8
14	4399828	RONDELLA 16 (17x30x3) ZNT 6592	RONDELLE 16 (17x30x3)	WASHER 16 (17x30x3)	SCHEIBE 16 (17x30x3)
15	4299952	POMOLO D.12	POIGNEE D.12	KNOB D.12	KUGELGRIFF D.12
16	2107085	LEVA BLOC.B.O. 110 -ZNT BIANCO	LEVIER BLOCAGE BRAS OPERATEUR	ARM LOCKING LEVER	ARMSPERRHEBEL
17	2107083	PALO VERT.SEM	BRAS VERTICAL	VERTICAL ARM	SENKRECHTER ARM
18	4399963	DADO AUTOBL.M16 BASSO.6S. 7474	ECROU A' BLOCAGE AUTOM. M16	SELF-LOCKING NUT M16	SELBSTSICHERNDE MUTTER M16
19	6607084	PALO ORIZZONT.110-NERO	BRAS HORIZONTAL	HORIZONTAL ARM	WAAGERECHTER ARM
20	3000487	VOLANTINO M16 V1/70/V-M16X100	PETIT VOLANT M16	HANDWHEEL M16	HANDRAD M16
21	3007065	PERNO FULCRO BRACCIO	PIVOT BRAS	ARM PIVOT	DREHZAPFEN
22	3007352	RONDELLA 20,5X50X6	RONDELLE 20,5x50x6	WASHER 20,5x50x6	SCHEIBE 20,5x50x6
23	4399967	DADO M10 6S BASSO	ECROU M10	NUT M10	MUTTER M10
24	4398900	VITE OTTONE TE M10x25 5739	VIS EN LAITON M10X25	BRASS SCREW 10x25	MESSINGSCHRAUBE 10x25

C324B

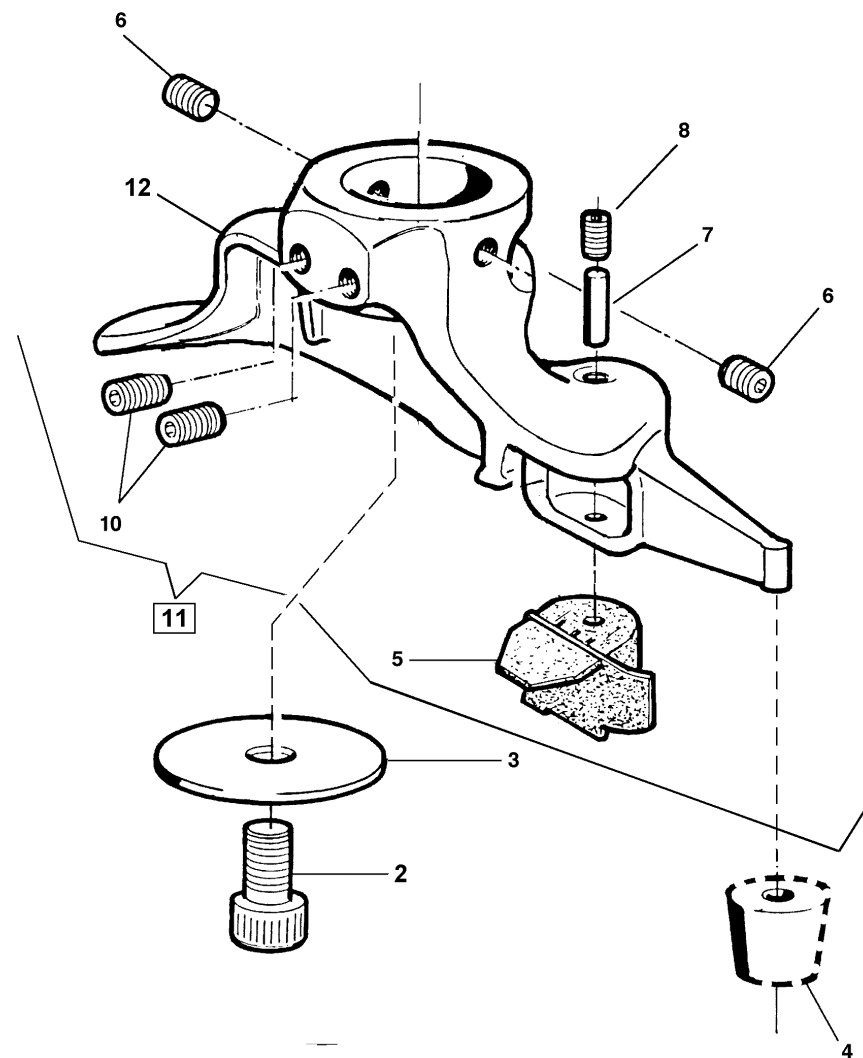
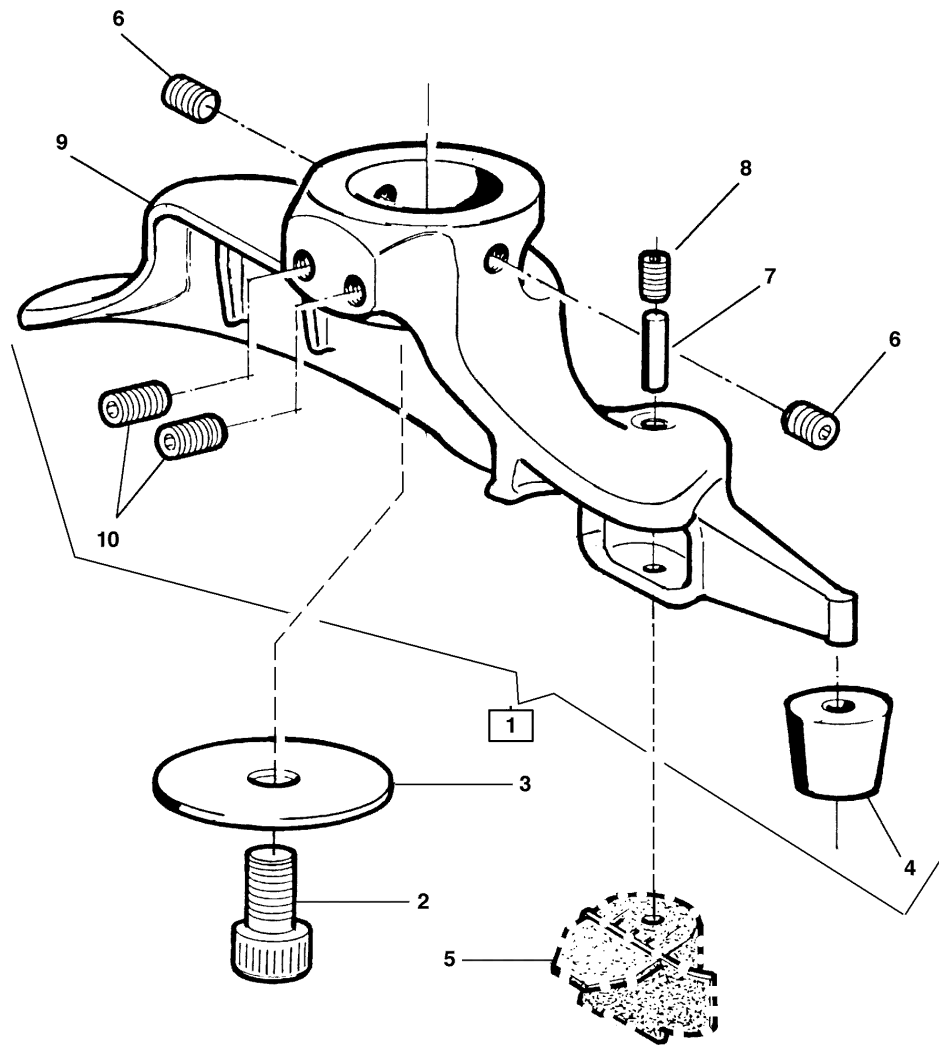


1	3005604	DECALCO BOLLINO PE 27552 BSO	DECALCOMANIE	STICKER	ABZIEHBILD
2	4399892	VITE TE 6x20 8.8 5739	VIS M6x20 - 8.8	SCREW M6x20 - 8.8	SCHRAUBE M6x20 - 8.8
3	4398848	RONDELLA 6 (6,6x18x1,5)ZNT6593	RONDELLE 6 (6,6x18x1,5)	WASHER 6 (6,6x18x1,5)	SCHEIBE 6 (6,6x18x1,5)
4	2006040	CAVETTO TERRA SMTG AUTO L=340	CABLE DE TERRE	GROUND CABLE L=340	MASSEDRAHT L=340
5	3002445	STAFFA SUPPORTO INVERT.-ZNT	ETRIER DE SUPPORT	SUPPORT	WECHSLERSTUETZE
6	4399905	VITE TE 4x12 8.8 5739	VIS M4x12 - 8.8	SCREW M4x12 8.8	SCHRAUBE M4x12 8.8
7	4399996	DADO M 4 6S ALTO ZNT 5587	ECROU M4 6S	NUT M4 6S	MUTTER M4 6S
8	4399045	ROND. DEN.ES.IN. 3,2x12x0,5	RONDELLE 3,2x12x0,5	TOOTHED WASHER 3,2x12x0,5	ZAHNSCHEIBE 3,2x12x0,5
9	3000142	MOLLA COMANDO PEDALE	RESSORT COMMANDE PEDALE	PEDAL CONTROL SPRING	FEDER
10	3002447	BIELLA COM.INVERT.SAGOM.-ZNT	BIELLE	CONNECTING ROD	PLEUELSTANGE
11	3000175	LEVA INVERTITORE	LEVIER D'INVERSEUR	REVERSER LEVER	WECHSLERHEBEL
12	4399893	DADO AUTOBL.M 6 BASSO.6S. 7474	ECROU A' BLOCAGE AUTOM. M6	SELF-LOCKING NUT M6	SELBSTSICHERNDE MUTTER M6
13	4398273	VITE AUTOF. TCEI 5,5x19	VIS AUTOTARADEUSE TCEI 5,5x19	SELF-TAPPING SCREW 5,5x19	BLECHSCHRAUBE 5,5x19
14	4399044	VITE TCEI M 3x12 12.9 5931	VIS 3x12 12,9	SCREW 3x12 12,9	SCHRAUBE 3x12 12.9
15	4399864	ANELLO SEEGER E D.12 7435	BAGUE SEEGER D.12	SEEGER RING D.12	SEEGER-RING D.12
16	4399998	RONDELLA 6 (6,4x12x1,6)ZNT6592	RONDELLE 6 (6,4x12x1,6)	WASHER 6 (6,4x12x1,6)	SCHEIBE 6 (6,4x12x1,6)
17	4599986	BLOCCAPASSAC.RETT.D.9 SB7 R/3	ARRET DE PASSE-CABLE D.9	CABLE HOLDER D.9	KABELDURCHGANG/SPERRE D.9
18	2001171	CAVO COLL.MOT.-INV. 3PH L=760	CABLE DE CONNEXION L=1500	CONNECTING CABLE L=1500	VERBINDUNGSKABEL L=1500
18	A 2000525	CAVO COLL.MOT.-INV. 1PH L=750	CABLE CONNEX. MOTEUR-INVERSEUR	CONNECTING CABLE	VERBINDUNGSKABEL
19	3000173	PROTEZIONE INVERTITORE PICCOLA	PROTECTION INVERSEUR	REVERSER COVER	WECHSLERSCHUTZ
19	A 3000174	PROTEZIONE INVERTITORE GRANDE	COUVERCLE INVERSEUR 1 PH	REVERSER COVER	WECHSLERSCHUTZ
20	4598960	INVERTITORE 20 A SERIE 13	INVERSEUR	REVERSER	WECHSLER 20A SERIE 13
20	A 4599915	INVERTIT. 1PH 25A. VS.108-51C	INVERSEUR 1PH 25A.	1PH REVERSER 25A.	1PH WECHSLER 25A.
21	2001512	CAVO ALIMENT. 3PH L=3110	CABLE ALIMENTATION 3PH	3PH FEEDING CABLE	3PH - SPEISEKABEL
21	A 2000526	CAVO ALIMENT. 1PH L=3600	CABLE D'ALIMENTATION 1 PH	1PH FEEDING CABLE	EINPHASIGER SPEISEKABEL
22	2000517	GR.INVERTITORE TRIFASE 20A	INVERSEUR 3 PH (COMPLET)	3PH REVERSER UNIT	3PH-WECHSLER
22	A 2004534	GR.INVERTITORE MONOFASE 25A	INVERSEUR 1PH 24A	REVERSER SINGLE-PHASE 25A	WECHSLER 1PH
23	2002356	PEDALIERA SEMIAUT. D.8 LEGA	PEDALIER	PEDAL CONTROL UNIT	PEDALEINHEIT
24	3006773	MOLLA RICH.PEDALE D.15x108x2,2	RESSORT RAPPELLE-PEDALE 14x110	PEDAL RETURN SPRING 14x110	PEDALRUECKZUGFEDER
25	3002161	BASAMENTO PEDALIERA	BASE DU PEDALIER	PEDAL BOX BASE	PEDALSITZ
26	3002159	PEDALE COM. AUTOC./STALL. ALL.	PEDALE DE COMMANDE	PEDAL	ZENTRIERTISCHPEDAL
27	3003094	PERNO ALLINEAMENTO PED.L.278,5	AXE ALIGNEM. PEDALES L=280	PEDALS ALIGNMENT PIN L=280	STIFT L=278,5
28	2002529	GR.VALVOLA AUTOC.SEMIAUT.LINEA	SOUPAPE	VALVE UNIT	VENTIL
29	4398999	VITE AUTOF. TCIC 3,5x13 6954	VIS AUTOTARADEUSE 3,5x13	SELF-TAPPING SCREW 3,5x13	BLECHSCHRAUBE 3,5x13

30	3001585	FLANGIA X VALVOLA 3001583	BRIDE POUR SOUPAPE 3001583	FLANGE for VALVE 3001583	FLANSCH
31	4299000	ANELLO OR 9,8x3,85	JOINT OR 9,8x3,85	O-RING 9,8x3,85	O-RING 9,8x3,85
32	3002442	PERNO X VALVOLA GRIFFE/RIBALT.	AXE	VALVE PIN	STIFT
33	3001584	DISTANZIALE X VALVOLA 3001583	ENTRETOISE	SPACER FOR VALVE 3001583	ABSTANDSSTUECK
34	4397649	VITE TE 6x50 8.8 PF ZNT 5737	VIS TE 6x50 8.8	SCREW 6x50 8.8	SCHRAUBE 6x50 8.8
35	3001583	VALVOLA DISTRIB.-SENZA CHIAVET	SOUPAPE DISTRIBUTION	DISTRIBUTION VALVE	VENTIL
36	4199610	SILENZIATORE 1 SFE 1/8"	SILENCIEUX 1/8"	SILENCER 1/8"	SCHALLDAEMPFER 1/8"
37	4198954	RACCORDO 6510 1/8"-8 S.RAPIDO	RACCORD RAPIDE 6510 1/8"-8	QUICK UNION 6510 1/8"-8	SCHNELLANSCHLUSS 6510 1/8"8
38	4198990	RACCORDO 6500 1/8"-8 S.RAPIDO	RACCORD RAPIDE 6500 1/8"-8	QUICK UNION 6500 1/8"-8	SCHNELLANSCHLUSS 6500 1/8"8
39	3002446	TUBO RILSAN D. 8X6 L=100	TUYAU RILSAN D.8/6 L=100	RILSAN HOSE D.8/6 L=100	SCHLAUCH D.8x6 L=100
40	3099335	TUBO RILSAN D. 8X6 L=750	TUYAU RILSAN D.8x6 L=740	RILSAN HOSE D.8x6 L=750	SCHLAUCH D.8x6 L=750
41	2002528	GR.VALVOLA STALL.IN LINEA	SOUPAPE	VALVE UNIT	VENTIL
42	4398783	SPINA ELASTICA D.4x24 6874	GOUPILLE D.4x24	SPRING PIN D.4x24	FEDERSTIFT D.4x24
43	3002443	PERNO X VALVOLA PEDALE STALL.	AXE	PIN	STIFT
44	2002444	GR.VALVOLA LINEA SENZA PERNO	GROUPE SOUPAPE SANS GOUJON	VALVE UNIT WITHOUT PIN	VENTIL
45	4198778	RACCORDO 6410 1/8"-8 S.RAPIDO	RACCORD 6410 1/8" - 8	UNION 6410 1/8" - 8	ANSCHLUSS 6410 1/8" - 8
46	4198993	RACCORDO 6510 1/8"-6 S.RAPIDO	RACCORD 6510 1/8"-6 RAPIDE	QUICK UNION 1/8"-6	SCHNELLANSCHLUSS 1/8"-6
47	3001342	TUBO RILSAN D. 8X6 L=1000	TUYAU RILSAN D.8x6 L=1000	RILSAN HOSE D.8x6 L=1000	SCHLAUCH 8x6 L=1000
48	3000143	TUBO RILSAN 6X4 L=480	TUYAU RILSAN D.6x4 L=480	RILSAN HOSE D.6x4 L=480	SCHLAUCH 6x4 L=480
49	4399900	DADO AUTOBL.M 8 BASSO 6.S 7474	ECROU A' BLOCAGE AUTOMAT.	SELF-LOCKING NUT M8	SELBSTSICHERNDE MUTTER M8
50	4399894	MOLLA TAZZA 8,2X18X1 2093	RESSORT 8,2x18x1	BELLEVILLE WASHER 8,2x18x1	FEDER 8,2x18x1
51	4398274	VITE AUTOF. TCEI 5,5x26	VIS AUTOTARADEUSE 5,5x26	SELF-TAPPING SCREW 5,5x26	BLECHSCHRAUBE 5,5x26
52	4398848	RONDELLA 6 (6,6x18x1,5)ZNT6593	RONDELLE 6 (6,6x18x1,5)	WASHER 6 (6,6x18x1,5)	SCHEIBE 6 (6,6x18x1,5)
53	4299912	BIELLA PER CAMME	BIELLE	CONNECTING ROD	PLEUELSTANGE
54	4399891	VITE AUTOF.TC+ 2,9x6,5 ZNT	VIS AUTOTARADEUSE 2,9x6,5	SELF-TAPPING SCREW 2,9x6,5	BLECHSCHRAUBE 2,9x6,5
55	4299910	CAVALLOTTO GUIDA BIELLA	GUIDE-BIELLE	CONNECTING ROD GUIDE	PLEUELSTANGENFUEHRUNG
56	4299913	CAMMA DOPPIA	CAME	DOUBLE CAM	DOPPELKAMM
57	4299911	BALESTRA A FORCELLA	RESSORT A LAME	FORKED LEAF SPRING	GABELFEDER
58	4399889	DADO M 6 6S ZNT 5588	ECROU M6	NUT M6	MUTTER M6
59	3002157	PEDALE COM.INVERT. ALL.	PEDALE	REVERSER CONTROL PEDAL	WECHSLERPEDAL
60	3007953	BOCCOLA D.18x12,5x21 PED.INV.	DOUILLE D.18X12,5X21	BUSH D.18x12,5x21	BUECHSE D.18X12,5X21
61	4399903	RONDELLA 4 (4,5x12x1,5)ZNT6593	RONDELLE 4 (4,5x12x1,5)	WASHER 4 (4,5x12x1,5)	SCHEIBE 4 (4,5x12x1,5)
62	4399889	DADO M 6 6S ZNT 5588	ECROU M6	NUT M6	MUTTER M6
63	4399122	ROND. DEN.ES."A" 8,4x15x0,8	RONDELLE D.8	TOOTHED WASHER 8,4x15x0,8	ZAHNSCHEIBE 8,4x15x0,8
64	4399998	RONDELLA 6 (6,4x12x1,6)ZNT6592	RONDELLE 6 (6,4x12x1,6)	WASHER 6 (6,4x12x1,6)	SCHEIBE 6 (6,4x12x1,6)

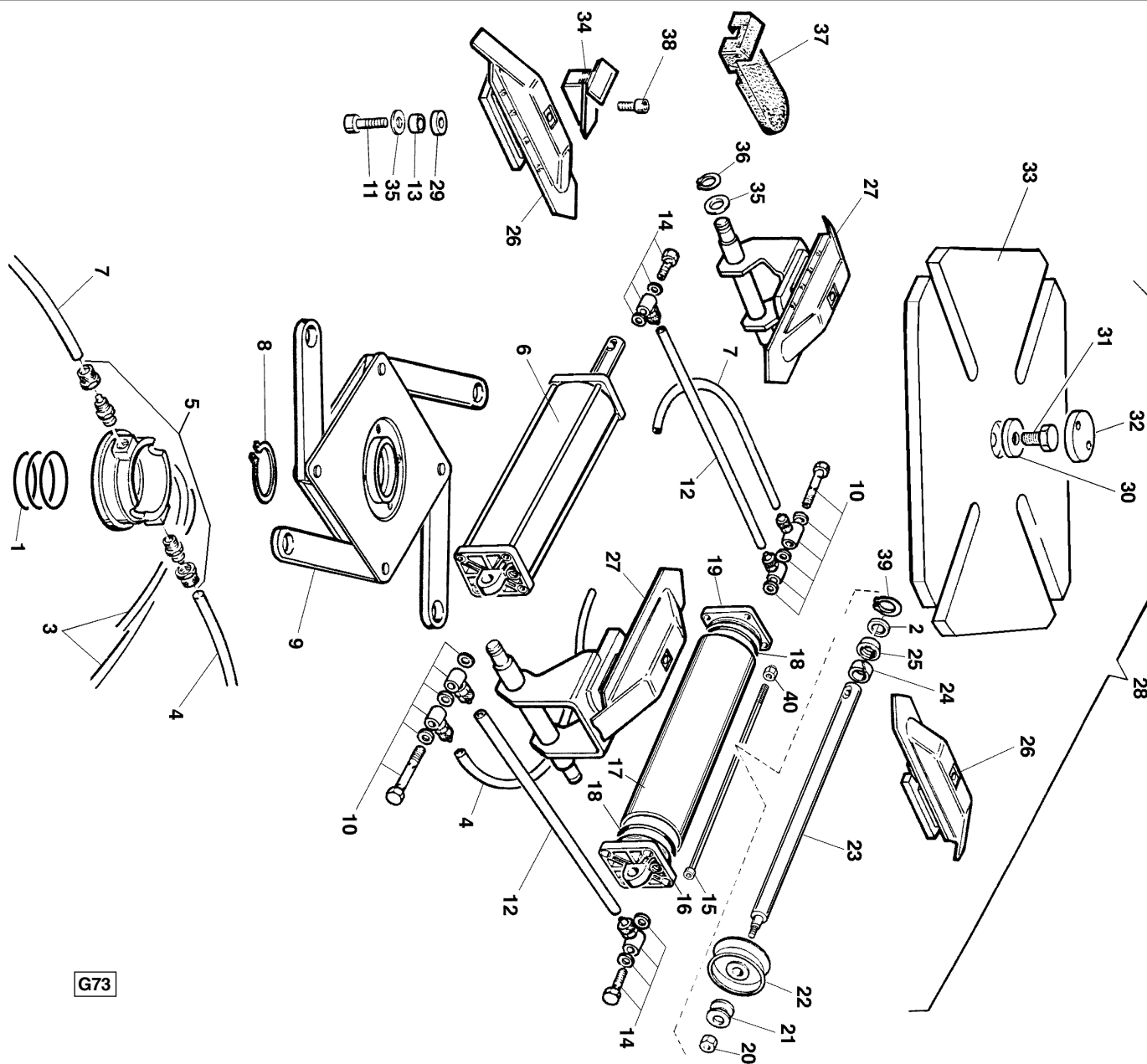


1	2000509	GR.CILINDRO STALLONATORE	CYLINDRE DECOLLEUR	BEAD BREAKER CYLINDER	ZYLINDER
2	4399976	DADO M 8 6S ZNT 5588	ECROU M8	NUT M8	MUTTER M8
3	3000125	FONDELLO CILINDRO STALLONATORE	CULOT CYLINDRE DECOLLEUR	CYLINDER BASE	ZYLINDERENDSCHEIBE
4	3000124	MOLLA CILINDRO STALLONATORE	RESSORT	SPRING	FEDER
5	4399963	DADO AUTOBL.M16 BASSO.6S. 7474	ECROU A' BLOCAGE AUTOM. M16	SELF-LOCKING NUT M16	SELBSTSICHERNDE MUTTER M16
6	3000122	PISTONE CILINDRO STALLONATORE	PISTON	PISTON	ZYLINDERKOLBEN
7	4299937	ANELLO TENUTA DE 725	JOINT A LEVRE	GROMMET	DICHTUNGSRING
8	3007089	ASTA PIST.STALL. D.16 L.335	TIGE PISTON DECOLL. D.16 L.335	PISTON SHAFT D.16 L.335	KOLBENSTANGE D.16 L.335
9	4399946	VITE TE 8x16 8.8 5739	VIS M8x16 8.8	SCREW M8x16 8.8	SCHRAUBE M8x16 8.8
10	2100497	CIL. STALL.(A RIC. 2002355)	CYLINDRE DECOLLEUR	BEAD BREAKER CYLINDER	ZYLINDER
11	4399943	VITE TCEI M12x35 12.9 5931	VIS M12x35 12.9	SCREW M12x35 12.9	SCHRAUBE M12x35 12.9
12	3000117	BOCCOLA PER CILINDRO STALL.	DOUILLE	BUSH	BUECHSE
13	3000121	BOCCOLA GUIDA PERNO CIL.STALL.	DOUILLE DE GUIDAGE AXE	PIN GUIDE BUSH	FUEHRUNGSBUCHSE
14	4299942	ANELLO TENUTA DI 062	JOINT A LEVRE	GROMMET	DICHTUNGSRING
15	4299719	AMMORTIZZATORE D.16,5x59x5	AMORTISSEUR	SHOCK-ABSORBER D.16,5x59x5	STOSSDAEMPFER 16,5x59x5
16	4198808	SILENZIATORE 1/4" SPEC. D.24	ATTENUATEUR DE BRUIT 1/4"	SILENCER 1/4"	SCHALLDAEMPFER 1/4"
17	4199671	VALVOLA SCARICO RAPIDO DA 1/4"	SOUPAPE DECHARGE RAPIDE 1/4"	DUMP VALVE	SCHNELLABLASSVENTIL 1/4"
18	3000113	PERNO ORIENTABILE ASTA D.16	GOUJON PIVOTANT	SWINGING PIN	SCHWENKBOLZEN
19	3000114	MOLLA BRACCIO STALLONATORE	RESSORT BRAS DECOLLEUR	BEAD BREAKER SPRING	FEDER
20	4399945	VITE TE 16x100 8.8 P.F. 5737	VIS M16x100 8.8	SCREW 16x100 8.8	SCHRAUBE M16x100 8.8
21	3000143	TUBO RILSAN 6X4 L=480	TUYAU RILSAN D.6x4 L=480	RILSAN HOSE D.6x4 L=480	SCHLAUCH 6x4 L=480
22	6607087	BRACCIO STALL. 110-NERO	BRAS DECOLLE-TALONS	BEAD BREAKING ARM	WULSTABDRUECKARM
23	4399948	VITE TE 14x80 8.8 P.F. 5737	VIS	SCREW 14x80 8.8	SCHRAUBE 14x80 8.8
24	4397846	DADO M14 TRIBLOK -DT DIN 980	ECROU M14	NUT M14 TRIBLOK	MUTTER M14 TRIBLOK
25	4198993	RACCORDO 6510 1/8"-6 S.RAPIDO	RACCORD 6510 1/8"-6 RAPIDE	QUICK UNION 1/8"-6	SCHNELLANSCHLUSS 1/8"-6
26	4399975	ANELLO SEEGER E D.20 7435	BAGUE SEEGER D.20	SEEGER RING D.20	SEEGER-RING D.20
27	2111029	PALETTA STALL. S 2001	PALETTE DECOLL.	BEAD BREAKING BLADE	WULSTABDRUECKSCHAUVEL
28	4299952	POMOLO D.12	POIGNEE D.12	KNOB D.12	KUGELGRIFF D.12
29	4399979	ANELLO SEEGER E D.30 7435	BAGUE SEEGER D.30	SEEGER RING D.30	SEEGER-RING D.30



1	2002215	TORRETTA INTEGR. ORIENT. COMPL.	SWINGING MOUNTING HEAD	TETE DE MONTAGE	MONTIERWERKZEUG
2	4399953	VITE TE 10x16 8.8 5739	SCREW M10x16 8.8	VIS M10x16 8.8	SCHRAUBE M10x16 8.8
3	3000495	RONDELLA D. 10x36x5 -BRUNITA	WASHER D.10x36x5	RONDELLE 10x36x5	SCHEIBE D.10x36x5
4	3000215	RULLINO PER UNGHIA	PEAK ROLL	GALET	ROLLE
5	3006689	INSERTO PLAST. X TORR. INTEGR.	PLASTIC INSERT	INSERT EN PLASTIQUE	PLASTIKEINSATZSTUECK
6	4397046	VITE STEI 10x10 P.CONICA 5927	SCREW STEI M10X10	VIS STEI M10x10	SCHRAUBE STEI M10x10
7	4398854	SPINA CIL. RETT. 5x20 6364A	SPRING PIN 5x20	GOUPILLE 5x20	ZYLINDERSTIFT 5x20
8	4399121	VITE STEI 6x6 P.P. 5923	SCREW 6x6	VIS 6x6	SCHRAUBE 6X6
9	3002214	UTENSILE INT. ORIENT. -ZNT B.	SWINGING TOOL	OUTIL PIVOTANT	SCHWENKWERKZEUG
10	4398849	VITE STEI 10x16 P.P. 5923	SCREW M10x16	VIS M10x16	SCHRAUBE M10x16
11	2007802	183/96 UT.INT.OR.CORTO COMPL.	SMALLER MOUNT. HEAD COMPL.	TETE MONTAGE COURTE COMPL.	KURZMONTIERFUSS - KOMPLETT
12	3007801	UTENSILE INT.OR.CORTO-ZNT B.	SHORTER MOUNTING HEAD	TETE DE MONTAGE COURTE	MONTIERWERKZEUG

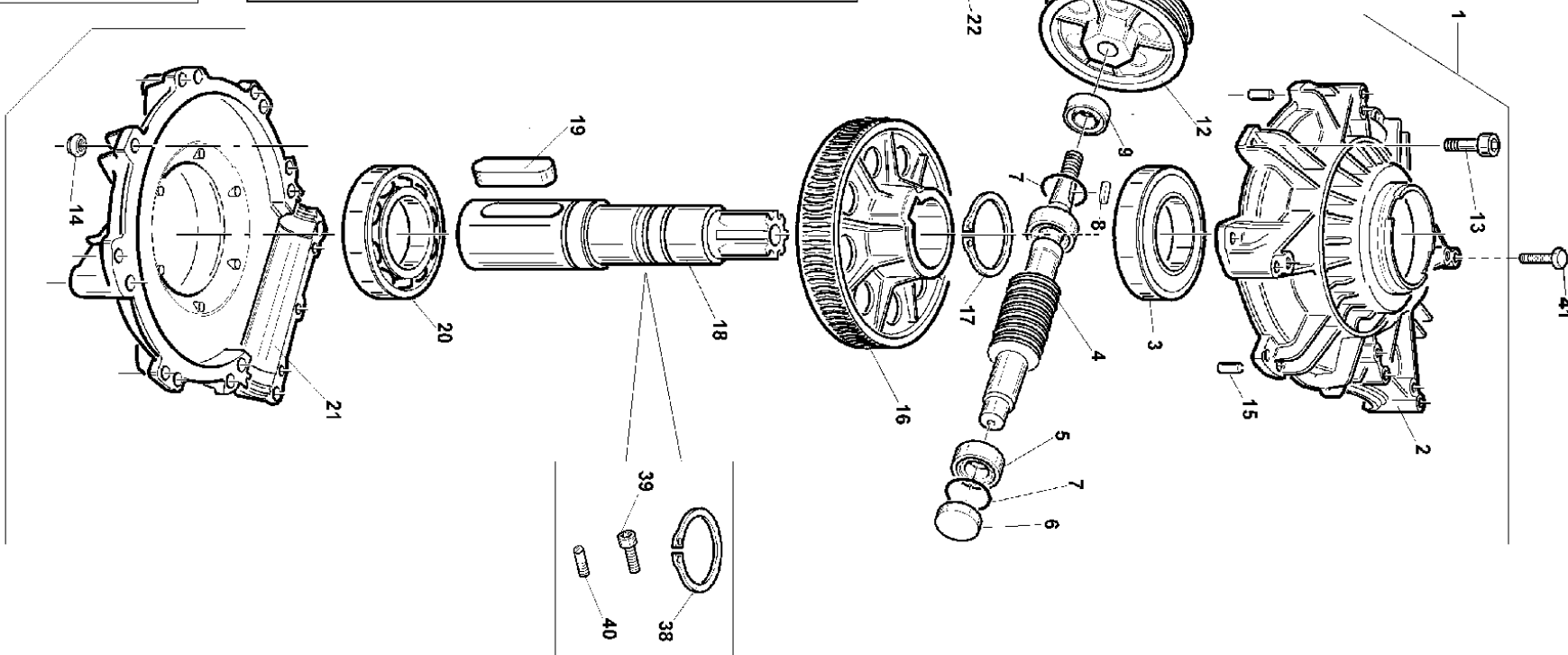
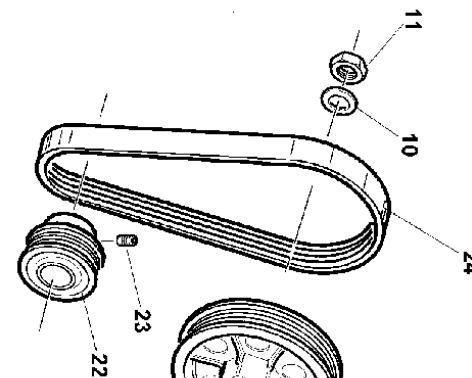
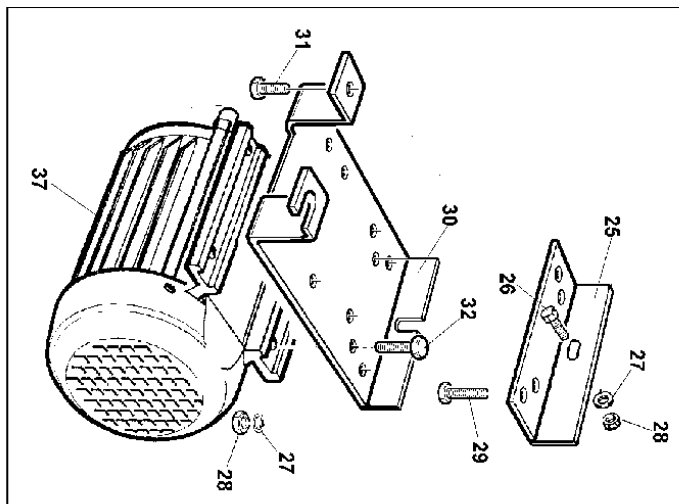
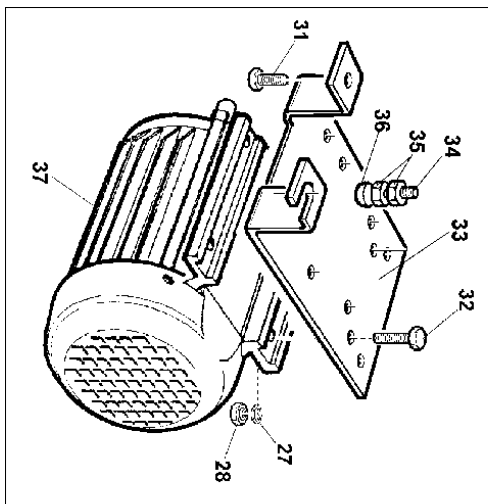
AUTOCENTRANTE 17" - AUTOCENTREUR 17"
SELF-CENTERING TURNTABLE 17" - SELBSTZENTRIERPLATTE 17"



G73

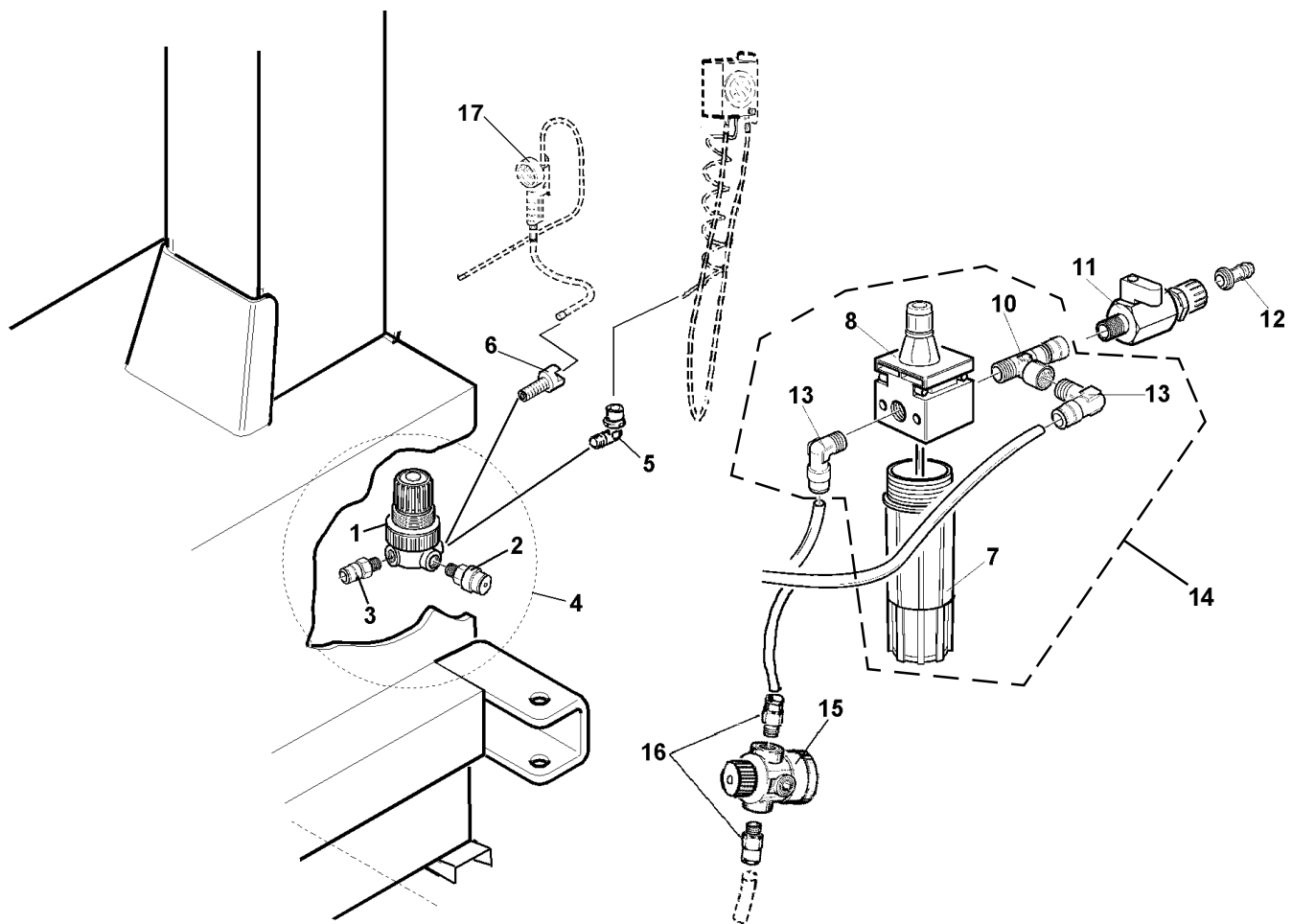
1	3199589	ANELLO OR 3237 D.59,99x2,62	JOINT TORIQUE 59,99x2,62	O-RING 59,99x2,62	O-RING 59,99x2,62
2	4398146	RASAMENTO D.24x30x0,3	CALE D.24x30x0,3	SHIM D.24x30x0,3	AUSGLEICHRING 24x30x0,3
3	3099335	TUBO RILSAN D. 8X6 L=750	TUYAU RILSAN D.8x6 L=740	RILSAN HOSE D.8x6 L=750	SCHLAUCH D.8x6 L=750
4	3002225	SPIRALE RILSAN 8X6 L=320	SPIRALE RILSAN 8x6 L=320	RILSAN SPIRAL HOSE 8x6 L=320	SPIRALSCHLAUCH 8x6 L=320
5	4298955	RACCORDO GIREVOLE TIPO GOLDEN	RACCORD TOURNANT	ROTATING UNION	DREHANSCHLUSS
6	2008057	GR.CILINDRO AUT.17"1/2 INT.	GR. VERIN CENTR.17,5"	17,5" TURNTABLE CYLINDER	17,5"ZENTRIERTISCH-ZYLINDER
7	3002226	SPIRALE RILSAN 8X6 L=430	SPIRALE RILSAN 8x6 L=430	RILSAN SPIRAL HOSE 8x6 L=430	SPIRALSCHLAUCH 8x6 L=430
8	4399932	ANELLO SEEGER E D.65 7435	BAGUE SEEGER D.65	SEEGER RING D.65	SEEGER-RING D.65
9	2101121	FLANGIA COMANDO - BRUNITA	BRIDE DE COMMANDE	CONTROL FLANGE	FLANSCH
10	4198870	RACCORDO DOPPIO 1/8"-8-6	RACCORD DOUBLE 1/8"-8-6	DOUBLE UNION 1/8" 8-6	DOPPELANSCHLUSS 1/8"-8-6
11	4398838	VITE TE 12x1,25x45 8.8 PF 5738	VIS M12x1,25x45	SCREW M12x1,25x45	SCHRAUBE 12x1,25x45 8.8
12	3099338	TUBO RILSAN D. 8X6 L=170	TUYAU RILSAN D.8x6 L=170	RILSAN HOSE D.8x6 L=170	SCHLAUCH 8x6 L=170
13	3000108	DISTANZIALE BIELLA D.12X18X11	ENTRETOISE BIELLE D.12x18x11	CONNECT.ROD SPACER D.12x18x11	ABSTANDSSTUECK D.12x18x11
14	4198898	RACCORDO SEMPLICE 1/8"-8-6	RACCORD 1/8" 8-6	UNION 1/8" 8-6	ANSCHLUSS 1/8" -8-6
15	3007947	VITE SPEC. TE M8x289,5 ZNT B.	VIS SPEC. M8x289,5	SPECIAL SCREW M8x289,5	SONDERSCHRAUBE 8x289,5
16	3002293	FLANGIA POSTER. CIL. AUT.	BRIDE ARRIERE	BACK FLANGE	FLANSCH
17	3008039	CAMICIA CIL. 17"1/2 L=265,5	CHEMISE CYLINDRE 17,5" L=265,5	CYLINDER LINER 17,5" L=265,5	ZYLINDERMANTEL 17,5" L=265,5
18	4298822	ANELLO OR 842 D.68,26x3,53	BAGUE OR D.68,26x3,53	O-RING D.68,26x3,53	O-RING D.68,26x3,53
19	3002294	FLANGIA ANTER. CIL. AUT.	BRIDE ANT. VERIN	FRONT FLANGE	VORDERFLANSCH
20	4399865	DADO AUTOBL.M12 BASSO.6S. 7474	ECROU A' BLOCAGE AUTOMAT. M12	SELF-LOCKING NUT M12	SELBSTSICHERNDE MUTTER M12
21	4398753	RONDELLA 12,5x30x3 ZNT.	RONDELLE D.12,5x30x3	WASHER D.12,5x30x3	SCHEIBE D.12,5x30x3
22	4198856	PISTONE MONOBLOCCO TDUOP D.75	PISTON D.75	PISTON D.75	KOLBEN D.75
23	3002290	ASTA CILINDRO AUT.17"1/2 L=316	TIGE POUR CYLINDRE AUTOC.17"	17,5" TURNT. CYLIND. ROD L=316	ZYLINDERSTANGE 17,5" L=316
24	4298823	NASTRO DI GUIDA ASTA CILINDRO	GUIDAGE EN NYLON	GUIDE IN NYLON	NYLON-RING f. ZYLINDERSTANGE
25	3199601	RASCH.BID. NSW 20-30-6 XNU01	GARNITURE BIDIRECTIONNELLE	OIL SCRAPER	OELABSTREIFER
26	2101257	SCORREVOLE CON GUIDA-BRUNITO	PATIN AVEC GUIDE	SLIDE WITH GUIDE	SCHLITTEN + FUEHRUNG
27	2101258	SCORREVOLE GUIDA PERNO-BRUN.	PATIN AVEC GUIDE	PIN GUIDE SLIDE	SCHLITTEN+FUEHRUNG+STIFT
28	2007235	AUTOCENTRANTE 17"1/2 QUADRO	CENTREUR CARRE' 17" 1/2	SQUARE TURNTABLE 17"1/2	QUADRAT. ZENTRIERTISCH 17"1/2

29	3000107	DISTANZIALE AUTOC.12,5X25X8	ENTRETOISE 12,5x25x8	TURNTABLE SPACER 12,5x25x8	ABSTANDSTUECK 12,5x25x8
30	3009778	RONDELLA SPEC. D.16x47x13-ZNT	RONDELLE	WASHER D.16x47x13	SCHEIBE D.16x47x13
31	4399926	VITE TE 16x1,5x40 8.8 5740	VIS M16x1,5x40 8.8	SCREW M16x1,5x40 8.8	SCHRAUBE M16x1,5x40 8.8
32	3000062	PROTEZIONE CENTRALE PIATTO	PROTECTION PLATEAU	TURNTABLE CAP	SCHUTZ
33	2107234	PIATTO AUTOC.QUAD.17"1/2 ZINC.	PLATEAU CENTREUR CARRE' 17"1/2	17,5" SQUARE TURNTABLE	17,5" SELBSTZENTRIERTISCH
34	3001107	GRIFFA BLOCCAGGIO	MORS DE BLOCAGE	CLAMP	SPANNKLAUE
35	4399981	RONDELLA 12 (13x24x2,5)ZNT6592	RONDELLE 12 (13x24x2,5)	WASHER 12 (13x24x2,5)	SCHEIBE 12 (13x24x2,5)
36	4399864	ANELLO SEEGER E D.12 7435	BAGUE SEEGER D.12	SEEGER RING D.12	SEEGER-RING D.12
37	3001468	PROTEZ.INTEGRALE GRIFFA	PROTECTION MORS	CLAMP COVER	KLAUENSCHUTZ
38	4398037	VITE TCEI 10x1,25x25 12.9 TF	VIS TCEI 10x1,25x25 10.9 T.F.	SCREW 10x1,25x25 12.9	SCHRAUBE 10x1,25x25 12.9
39	3199599	ANELLO SEEGER I D.30 JV	BAGUE SEEGER D.30	SEEGER RING D.30	SEEGER-RING D.30
40	4397678	DADO FLANGIATO M8 ZNT DIN 6923	ECROU	FLANGE NUT M8	KRONENMUTTER M8



Ref	Code	Descrizione	Description	Description	Beschreibung
1	2010900	GR. RIDUTT. SMTG AUTO COMPL.	REDUCTION GEAR UNIT	GROUPE REDUCTEUR	REDUKTORAGGREGAT
2	3010872	SCATOLA SUPER. RIDUTT.	REDUCTION GEAR BOX	BOITE REDUCTEUR	REDUKTORKASTEN
3	4296945	CUSCINETTO 6212 2RS 60x110x22	BEARING 60X110X22	COUSSINET 60X110X22	LAGER 60X110X22
4	3010883	VITE SENZA FINE RID.SMTG AUTO	WORM	VIS SANS FIN	SCHNECKE
5	4296944	CUSCINETTO RULLI CONICI 30204	BEARING	COUSSINET	LAGER
6	3010886	COPERCHIETTO TENUTA 35-8	SEALING CAP	BOUTON D'ETANCHEITE'	DICHTUNGSKAPPE
7	4296943	ANELLO OR 140 D.34,52x3,53	O-RING D.34,52X3,53	JOINT TORIQUE D.34,52X3,53	O-RING D.34,52X3,53
8	4396947	LINGUETTA 6x6x18 (A) 6604	TAB 6X6X18	PLAQUE 6X6X18	PLÄTTCHEN 6X6X18
9	4296942	ANELLO TENUTA 20x35x10	O-RING 20X35X10	JOINT TORIQUE 20X35X10	O-RING 20X35X10
10	4398807	RONDELLA 14 (15x28x2,5)ZNT6592	WASHER 14 (15x28x2,5)	RONDELLE 14 (15x28x2,5)	SCHEIBE 14 (15x28x2,5)
11	4396941	DADO M14 6S BASSO ZNT 5589	NUT M14	ECROU M14	MUTTER M14
12	3010863	PULEGGIA RIDUTT. SMTG AUTO	GEARBOX PULLEY	POULIE REDUCTEUR	REDUKTORSCHIEBE
13	4399134	VITE TCEI M 8x30 8.8 5931	SCREW TCEI 8x30 8.8	VIS M8x30 8.8	SCHRAUBE TCEI M 8X 30 8.8
14	4399900	DADO AUTOBL.M 8 BASSO 6.S 7474	SELF-LOCKING NUT M8	ECROU A' BLOCAGE AUTOMAT. M8	SELBSTSPERRENDE MUTTER M8
15	4396940	SPINA CIL.RETT. 8x20 6364A	PIN 8X20	AXE 8X20	STIFT 8X20
16	3010884	RUOTA ELICOIDALE RID.-FINITA	HELICAL GEAR	ROUE HELICOIDALE	SCHNECKENRAD
17	4396946	ANELLO SEEGER E D.60x3 7436	SEEGER RING D.60X3	JOINT SEEGER D.60X3	SEEGER RING D.60X3
18	3010885	PERNO PER RUOTA ELICOID.	HELICAL GEAR STUD	AXE POUR ROUE HELICOIDALE	SCHNECKENRADBOLZEN
19	4396948	LINGUETTA 16x10x70 (A) 6604	TAB 16X10X70	PLAQUE 16X10X70	PLÄTTCHEN 16X10X70
20	4296910	CUSCINETTO 6212 60x110x22	BEARING 60X110X22	COUSSINET 60X110X22	LAGER 60X110X22
21	3010873	SCATOLA INFERIORE RIDUTTORE	REDUCTION GEAR BOX	BOITE REDUCTEUR	REDUKTORKASTEN
22	3010864	PULEGGIA MOTORE SMTG AUTO	MOTOR PULLEY	POULIE MOTEUR	MOTORSCHIEBE
23	4399922	VITE STEI 8x14 P.CIL. 5925	SCREW 8x14	VIS 8x14	SCHRAUBE 8x14
24	4296813	CINGHIA PV 610 J6	FLAT BELT	COURROIE	RIEMEN

25	3011384	ANGOLARE TENDICINGHIA-ZNT B.	TENSION ANGLE BAR	TENDEUR DE COURROIE EN L	RIEMENSPANNWINKELEISEN
26	4399946	VITE TE 8x16 8.8 5739	SCREW M8x16 8.8	VIS M8x16 8.8	SCHRAUBE M8x16 8.8
27	4399829	RONDELLA 8 (8,4x16x1,5)ZNT6592	WASHER 8 (8,4x16x1,5)	RONDELLE 8 (8,4X16X1,5)	SCHEIBE 8 (8,4x16x1,5)
28	4399976	DADO M 8 6S ZNT 5588	NUT M8	ECROU M8	MUTTER M8
29	4399824	VITE TE 10x14 8.8 5739	SCREW M10x14 8.8	VIS M10x14 8.8	SCHRAUBE M10x14 8.8
30	3011383	SUPP. MOTORE NUOVO RID.-ZNT B.	MOTOR SUPPORT	SUPPORT DE MOTEUR	MOTORLAGER
31	4399966	VITE TE 10x20 8.8 5739	SCREW M10x20 - 8.8	VIS 10x20 8.8	SCHRAUBE M10x20 8.8
32	4399935	VITE TE 8x25 8.8 5739	SCREW TE M8X25 8.8	VIS TE M8x25 8.8	SCHRAUBE TE M8x25 8.8
33	3000149	SUPP. MOTORE NUOVO RID.-ZNT B.	MOTOR SUPPORT	SUPPORT DE MOTEUR	MOTORLAGER
34	4399880	VITE TE 10x40 8.8	SCREW M10x40 - 8.8	VIS 10x40 8.8	SCHRAUBE M10x40 8.8
35	4399969	DADO M 10 6S	NUT M10	ECROU M10	MUTTER M10
36	3000164	PUNTALE PER TENDICINGHIA	BELT-STRETCHER SHOE	POINTEAU DE TENDEUR COURROIE	STUTZE f. RIEMENSPANNER
37	4599914	MOTORE 1PH - HP1,2 230V.50/60HZ	1PH MOTOR 1,2HP 230V 50/60HZ	MOTEUR 1PH 1,2HP 230V 50/60HZ	1PH MOTOR 1,2HP 230V 50/60HZ
37 A	4599924	MOTORE 3PH - 230/400V. 50 HZ	3 PHASE MOTOR 230/400 V. 50 HZ	MOTEUR 230/400 V 3 PH-50 HZ	DREIPHASENMOTOR 230/400V 50HZ
37 B	4598919	MOTORE 2VELOCITA.400V.HP 1-1,5 B3	TWO SPEED MOTOR	MOTEUR 2V. 400V HP 1/1,5	MOTOR 400V. HP.1/1,5 - B.3
37 C	4598499	MOTORE 1PH 115V. HP1,2 50/60Hz	115V 1PH MOTOR	MOTEUR 115V 1PH	MOTOR 115V. 1PH.
38	4396700	ANELLO SEEGER E D.50x2 7436	SEEGER RING D.50x2	JOINT SEEGER D.50x2	SEEGER RING D.50x2
39	4399964	VITE TE M 6x10	SCREW TE M6 x 10	VIS TE M6 x 10	SCHRAUBE TE M6x10 8.8
40	3001996	VITE PER RACCORDO GIREVOLE GT	SCREW FOR ROTATING UNION GT	VIS pour RACCORD PIVOTANT GT	SCHRAUBE f. DREHANSCHLUSS GT
41	4399933	VITE TE M10x50 8.8	SCREW TE M10x50	VIS TE M10x50	SCHRAUBE TE M10x50



1	4198173	REGOLATORE 1/4" 0-3,5 BAR	REGULATEUR 1/4" 0-3,5 BAR	REGULATOR 1/4" 0-3,5 BAR	DRUCKREGLER 1/4" 0-3,5 BAR
2	4198435	VALV.SIC.1/8"0/4 BAR+RIV.+CAP.	SOUPAPE SECURITE' 1/8" 0/4 BAR	SAFETY VALVE 1/8" 0/4 BAR	SICHERHEITSVENTIL 1/8" 0/4BAR
3	4198884	RACCORDO 6510 1/4"-8 S.RAPIDO	RACCORD 6510 1/4"	UNION 6510 1/4"	ANSCHLUSS 6510 1/4"-8
4	2010781	GR.REGOLAT.4 BAR USC. GT CE	GRUPPE REGULATEUR PRESS. 4BAR	4 BAR PRESSURE REGULATOR UNIT	4BAR-DRUCKREGLERGRUPPE
5	4198578	RACCORDO 6520 1/4"-8/6 GIREV.	RACCORD 6520 1/4"8/6	ROTATING UNION 1/4"-8/6	VERSCHRAUBUNG 6520 1/4"-8/6
6	4199797	RACCORDO 9A/M 1/4"	RACCORD 9A/M 1/4"	UNION 9A/M 1/4"	ANSCHLUSS 9A/M 1/4"
7	4196316	TAZZA LUBRIFICATORE	CUVE DU LUBRIFICATEUR	LUBRICATOR CUP	SCHMIERBECHER
8	4196315	CORPO LUBRIFICATORE	CORPS LUBRIFICATEUR	LUBRICATOR	SCHMIERER
9	4196481	LUBRIFIC.1/4" GRIGIO	GRAISSEUR 1/4"	LUBRICATOR 1/4"	SCHMIERER 1/4"
10	4198818	RACCORDO 2070 1/4" MFF	RACCORD 2070 1/4"	UNION	ANSCHLUSS 2070 1/4"
11	4198143	VALVOLA 400 1/4" F-F	SOUPAPE 400 1/4" F-F	VALVE 400 1/4" F-F	VENTIL 400 1/4" F-F
12	4199987	ATTACCO RESCA 2P 1/4 8	ATTELAGE	UNION 1/4	VERBINDUNG
13	4198883	RACCORDO 6500 1/4"-8 S.RAPIDO	RACCORD 6500 1/4"-8 RAPIDE	QUICK UNION 6500 1/4"-8	ANSCHLUSS 6500 1/4" - 8
14	2012326	GR.LUBRIF. NEW CE FINO A S.222	GRUPPE HUILEUR	LUBRICATOR UNIT	SCHMIERGRUPPE
15	4198951	REGOLATORE 1/4" 0,5-10 BAR	REGULATEUR 1/4" 0,5-10 BAR	REGULATOR	REGLER 1/4" 0,5 - 12 BAR
16	4198884	RACCORDO 6510 1/4"-8 S.RAPIDO	RACCORD 6510 1/4"	UNION 6510 1/4"	ANSCHLUSS 6510 1/4"-8
17	9298185	PISTOLETTA ASTURO "CE"	PISTOLET ASTURO "CE"	ASTURO INFLATING GAUGE "CE"	ASTURO DRUCKLUFTPISTOLE "CE"
17A	9299684	PISTOLETTA METAL "NON CE"	PISTOLET METAL	METAL PISTOLET	METAL DRUCKLUFTPISTOLE



GIULIANO S.r.l.

Via Guerrieri, 6 - 42015 CORREGGIO - ITALY
Tel. +39. 522. 73.11.11 - Fax. +39. 522. 63.31.09

E-mail: giuliano@giuliano.it

<http://www.giuliano.it>